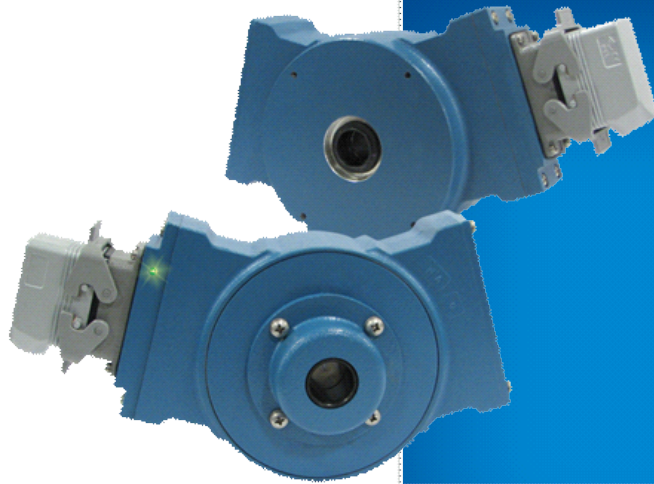


Avtron AV685 SMARTach II Encoders



Severe Mill Duty SMARTach II Magnetic Encoder, 1 1/8" Hollow Shaft Mount

The Toughest Hollow Shaft Encoder Built!

- | Severe Mill Duty
- | Up to 5000 PPR
- | Replaces Competitive Models Without Rewiring
 - | Self-Diagnostic LED & Alarm
- | Outputs Fully Short Circuit Protected
 - | Removable Sensors
- | End of Shaft and Thru Shaft Models Available
 - | IP66 Enclosure
 - | High-Power Output Standard
 - | Optional Dual Isolated Outputs
 - | 1 Year No-Hassle Warranty

AV685

SMARTach II™ Magnetic Encoder, 1 1/8" Hollow Shaft Mount

AV685 hollow shaft encoders survive the worst conditions: dust, dirt, liquid sprays, and temperature extremes from -40°C* to +120°C*!

The dual, replaceable sensors are interchangeable between AV485, AV685, and AV850 and feature high-power outputs that drive long cable lengths easily. These AV5 SMARTach II sensors have the best protection of any encoder—from surges, wiring outputs to power, ground, between phases, or even short circuits!

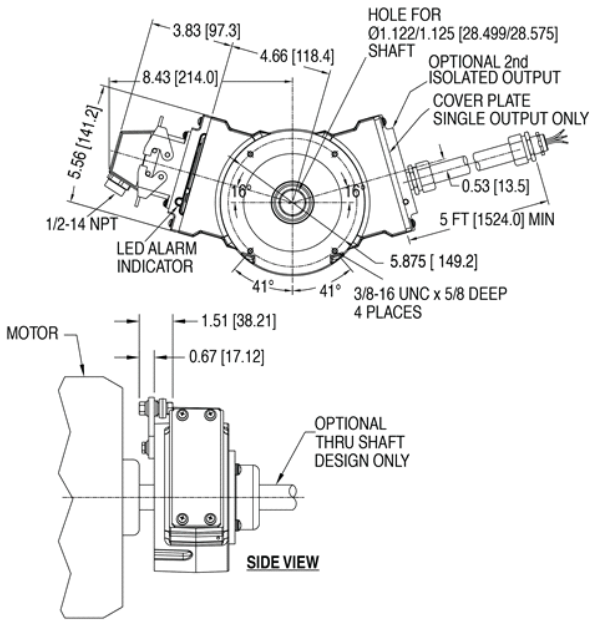
The green diagnostic LED on the sensors assure you that the encoder is outputting ideal signals—no more false drive trips.

If for any reason, the signal is not ideal, the light turns red, and an alarm contact notifies the operator. However, the AV685 keeps working. This enables maintenance to be scheduled, and unscheduled downtime is eliminated!

The durable hollow shaft design tolerates huge axial movements, and withstands more shaft runout than any other encoder available.

So if you want the highest reliability most durable encoder in your mill, select AV685.

OUTLINE DRAWING



MORE AV685 ADVANTAGES

- SMARTach II sensors find problems before they cause failures
- Replaces Avtron M585, M685; Dynapar HS56, HS85 models
- Optional K661 signal converter for direct replacement of analog tachs (BC42, 46, etc.)
- Mix and match any PPR's
- No sensor shimming required
- Dual oversize bearings, spaced farther apart
- Synthetic bearing lubricant for longer life
- Optional overspeed switch
- Optional shaft grounding
- Huge range of stub shaft adapters available to fit shafts from 1 3/8" to 12" & most major motor brands

AV685 SPECIFICATIONS

Operating Power (Each Sensor): 5-24V, 100mA
Output Format: A Quad B with marker (A,A-, B,B-, Z,Z-)
Frequency Range: 0 to 165 KHz
Maximum Cable Length: 2000' [600m] ***
PPR: 8 - 5000
Speed: 4000 RPM Max
Temperature: -40°* to 120°C*
Environmental: IP66**; Nema 4, 13 Rating
Weight: 15 lbs. [6.4 kg]; 17lbs [7.7kg] dual output

Check out our website for more detailed specifications, drawings, and Pending installation instructions. www.avtronencoders.com

All dimensions are in inches [millimeters].
 Specifications and features are subject to change without notice.

*-20°C to 80°C Standard.
 **Connector options may reduce IP rating.
 ***Hi-power outputs; may be limited by RPM & PPR; see manual for details.

SELECTION GUIDE

AV685 PART NUMBERS AND AVAILABLE OPTIONS INCLUDING AV5 SENSORS											
Model	Temp Rating	Tether	Style	Left Module			Right Module			Connector Options	Modifications
				Line Driver	PPR		Line Driver	PPR			
AV685	N- -20°C to 80°C C- -40°C to 80°C H- -20°C to 120°C*	X- none 1- B32809 threaded rod	E- standard (EOS) through shaft T- through shaft G- grounding O- over speed switch	X- none 6- 5-24V in/out 7272 8- 5-24V in/ 5-15V out, 4125 hi-power 9- 5-24V in, 5V out 7272	X- none F- 60 G- 100 H- 120 A- 128 L- 240 N- 256 P- 300 E- 360 B- 480 Q- 500 R- 512 S- 600	V- 900 J- 960 Y- 1024 Z- 1200 6- 1800 3- 2000 4- 2048 5- 2500 D- 4096 8- 4800 9- 5000 0- special	X- none 6- 5-24V in/out 7272 8- 5-24V in/ 5-15V out, 4125 hi-power 9- 5-24V in, 5V out 7272	X- none F- 60 G- 100 H- 120 A- 128 L- 240 N- 256 P- 300 E- 360 B- 480 Q- 500 R- 512 S- 600	V- 900 J- 960 Y- 1024 Z- 1200 6- 1800 3- 2000 4- 2048 5- 2500 D- 4096 8- 4800 9- 5000 0- special	003- Include analog signal converter (K661) 004- Super magnetic shielding 4xx- Special PPR (see label below)	
Connector Options										SPECIAL PPR OPTION CODES	
Mounted on Encoder Body				3' Cable			5' Flexible Conduit	OPTION CODE	LEFT PPR	RIGHT PPR	
Industrial Connector	5 pin MS	10 pin MS	Other	Industrial Connector	Twist Lock	Other		401	1270	None	
G- (Northstar™ Pinout) without Plug with Plug P- with Plug V- with Plug, w/insulated adapter	E- (M737 Pinout) without Plug F- "E" with Plug H- (M727 Pinout) without Plug J- "H" with Plug	A- without Plug B- with Plug & clamp C- with Plug & Flex. Adapter L- with Right Angle Plug	K- Condulet R- Twist Lock Mini MS with Plug 3- 6 pin MS (M940)	Z- with Plug Q- 18" flex cable, with Remote Base	S- Mini MS with Plug	W- Leads only	D- 10 pin MS w/ins. adapter M- w/ins. adapter N- In Flextight T- Terminal box on 5' Flextight Y- "T" w/ins. adapter	402	150	None	
								403	50	None	
								404	None	16	
								405	16	None	
								406	6000	None	
								407	2800	None	
								408	1400	None	
								409	30	None	



All dimensions are in inches [millimeters].
 Specifications and features are subject to change without notice.
 EU-SMART™, SMARTSafe™, SMARTach II™, THIN-LINE™, THIN-LINE II™, WIDE-GAP™, and BULLSEYE32™ are trademarks of Nidec Avtron Automation. All other trademarks and registered trademarks are the property of their respective owners.